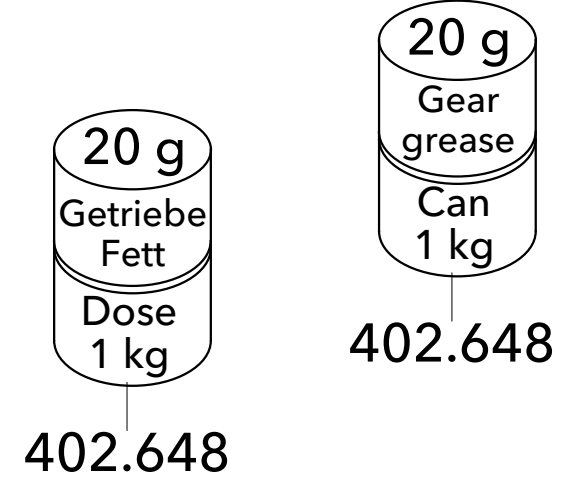
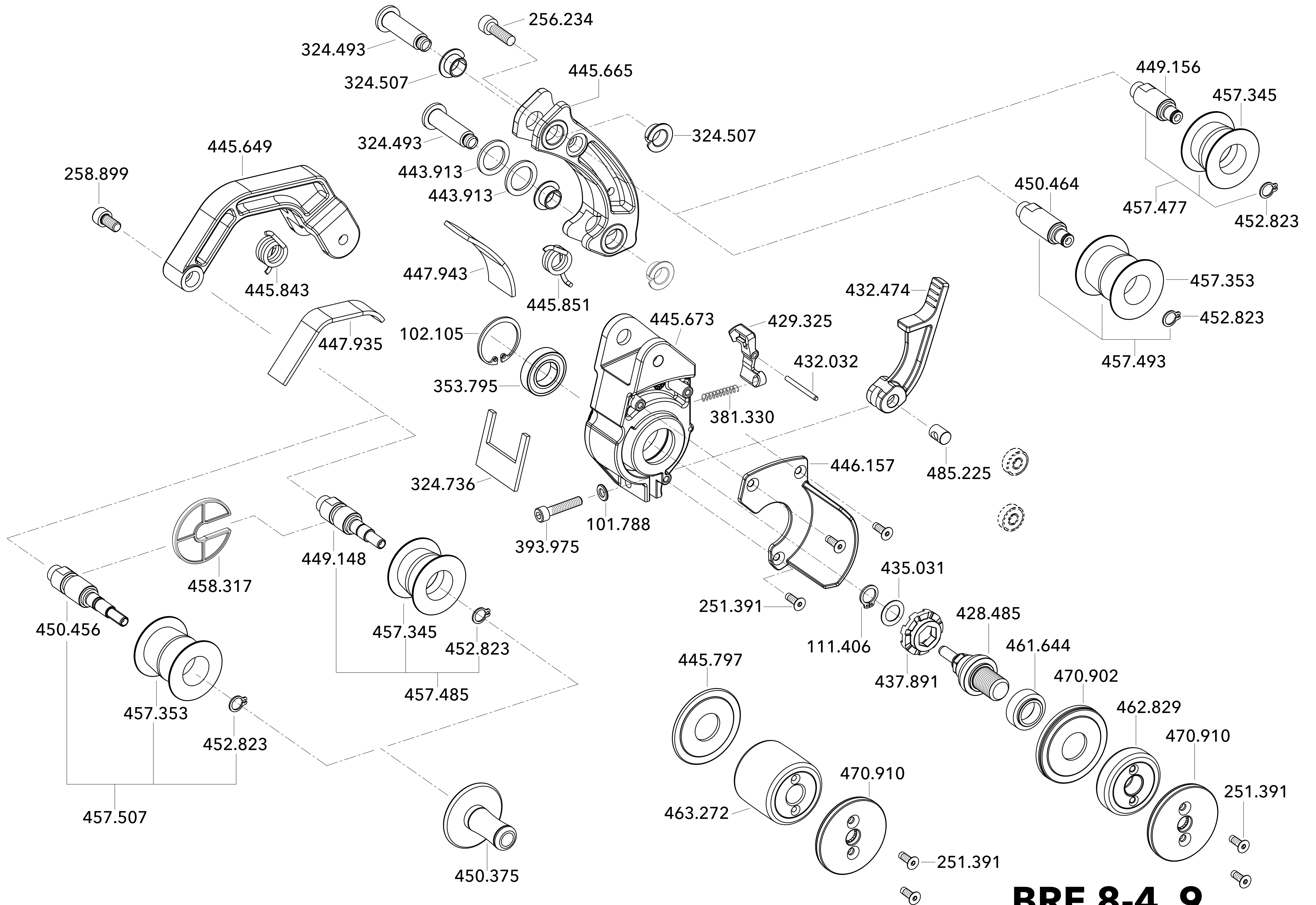


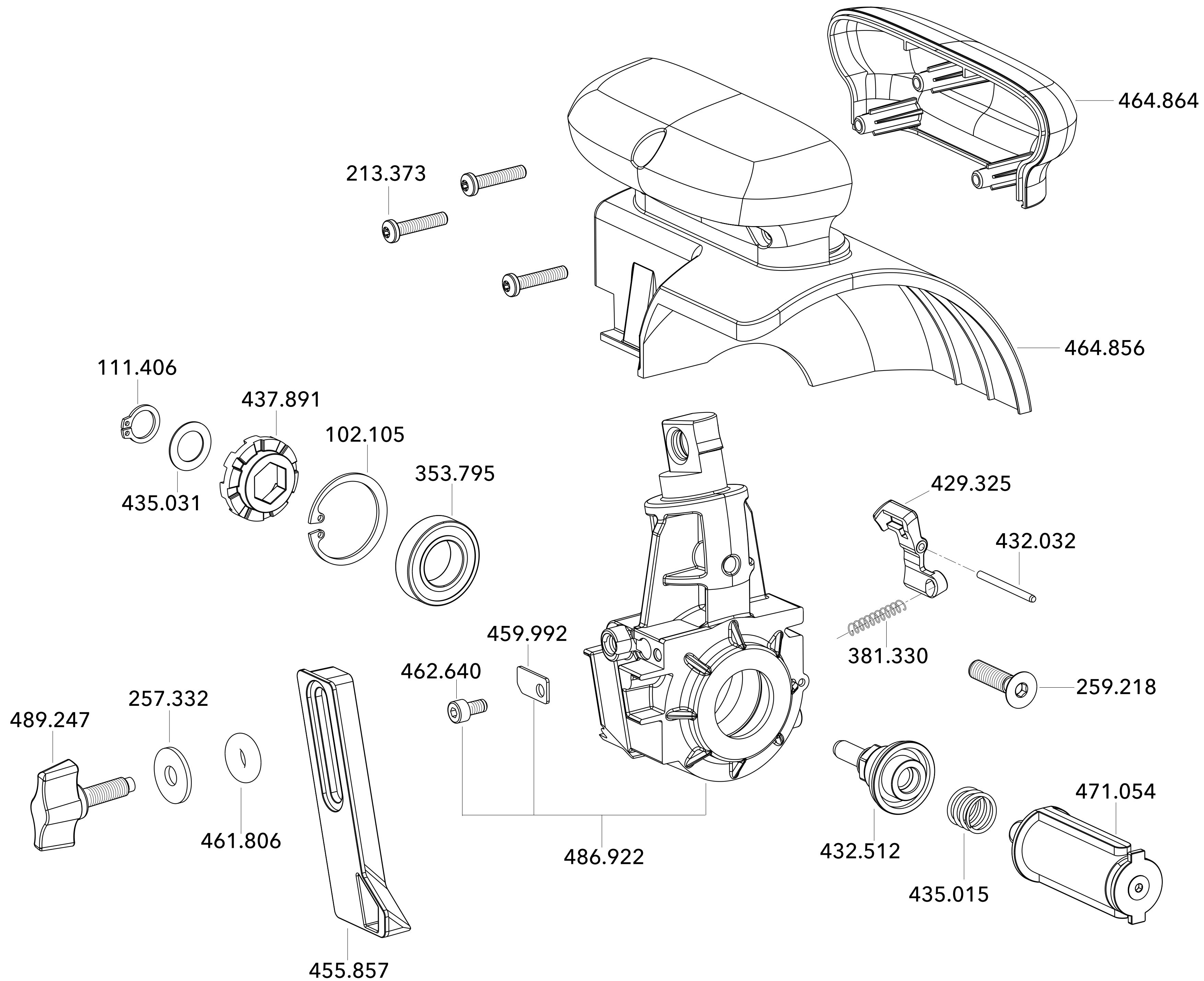
**BME 8-4**  
**BRE 8-4**  
**BSE 8-4**  
**FBE 8-4**

**230/CEE**



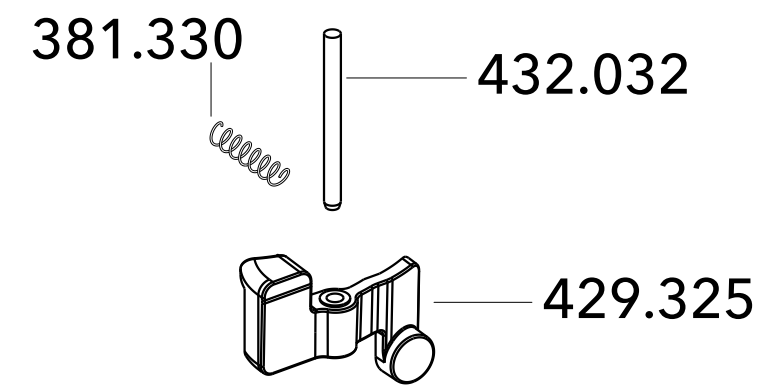
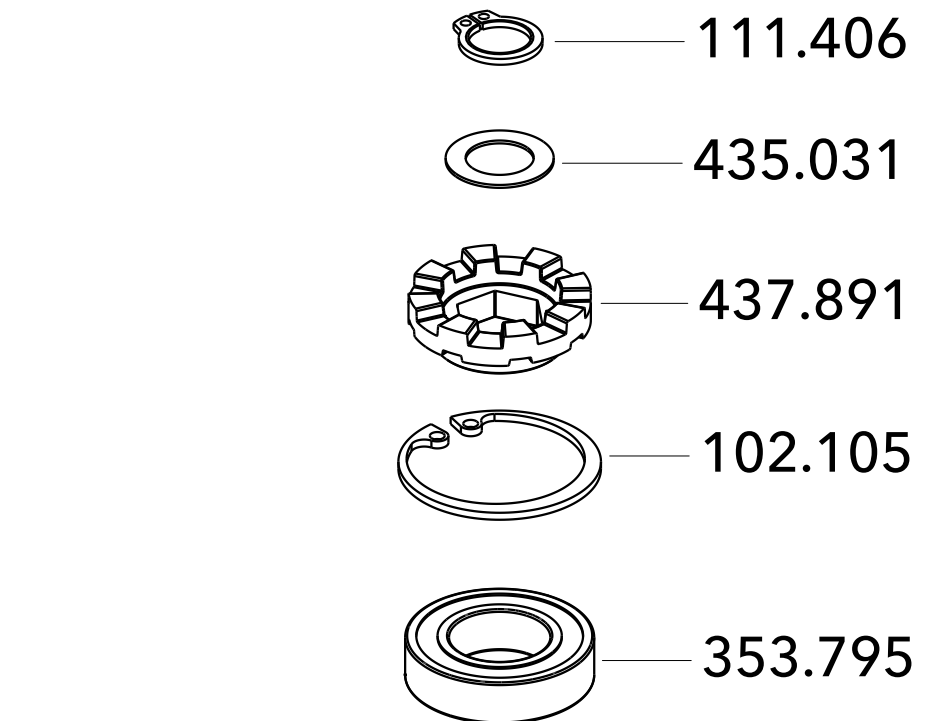
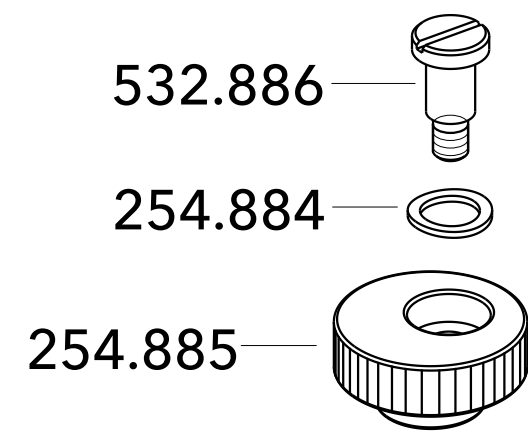
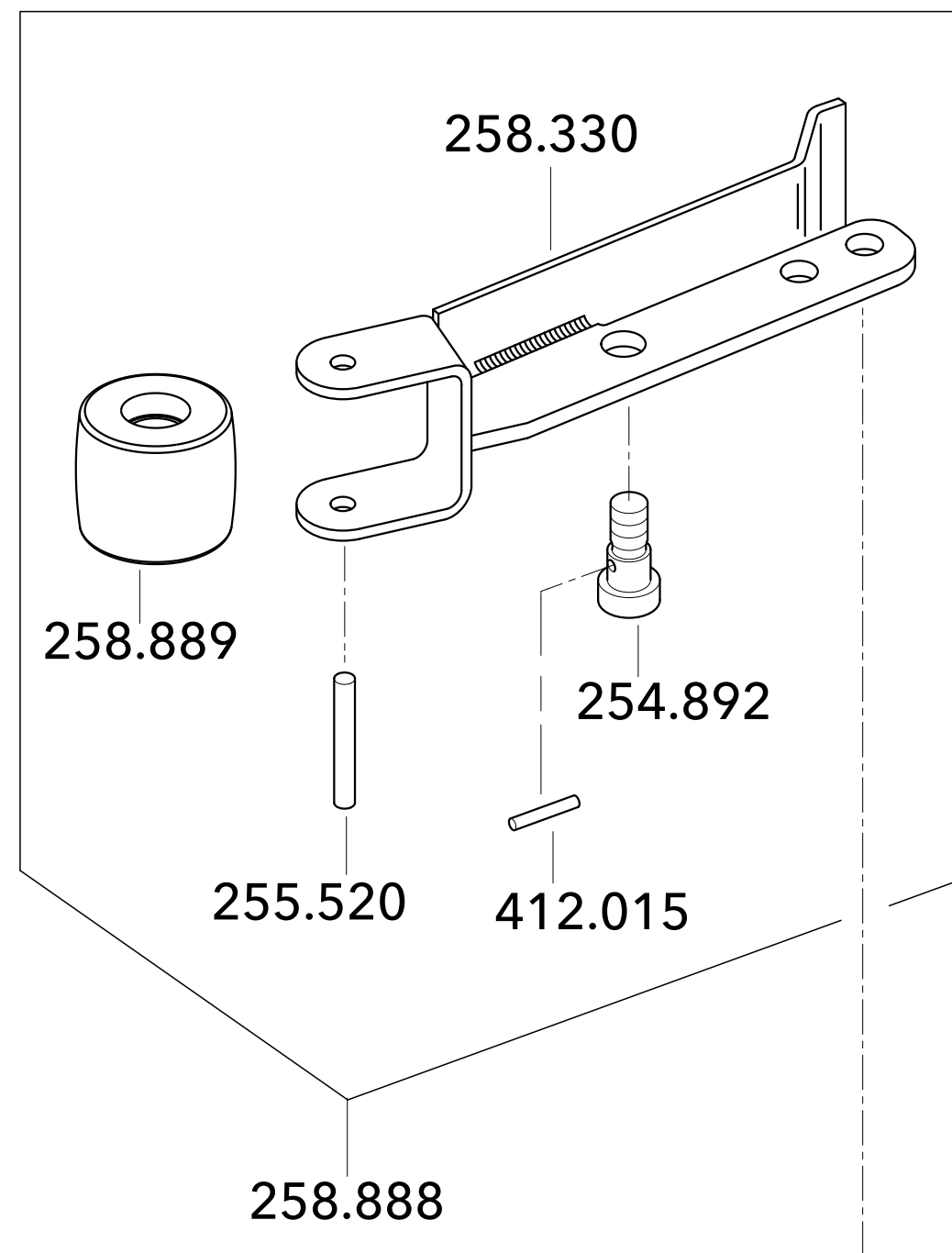


# BRE 8-4 9

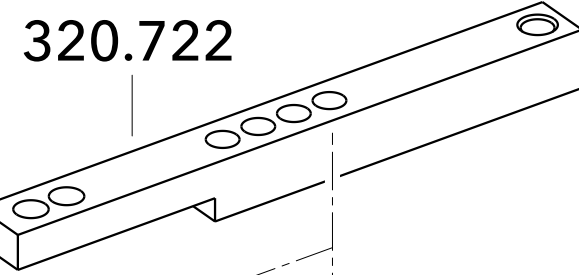
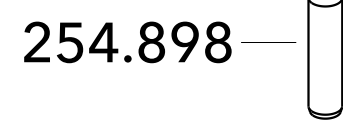


# BSE 8-4 9

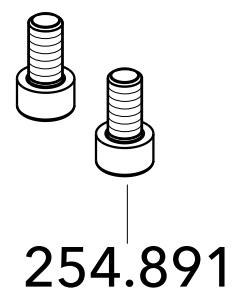
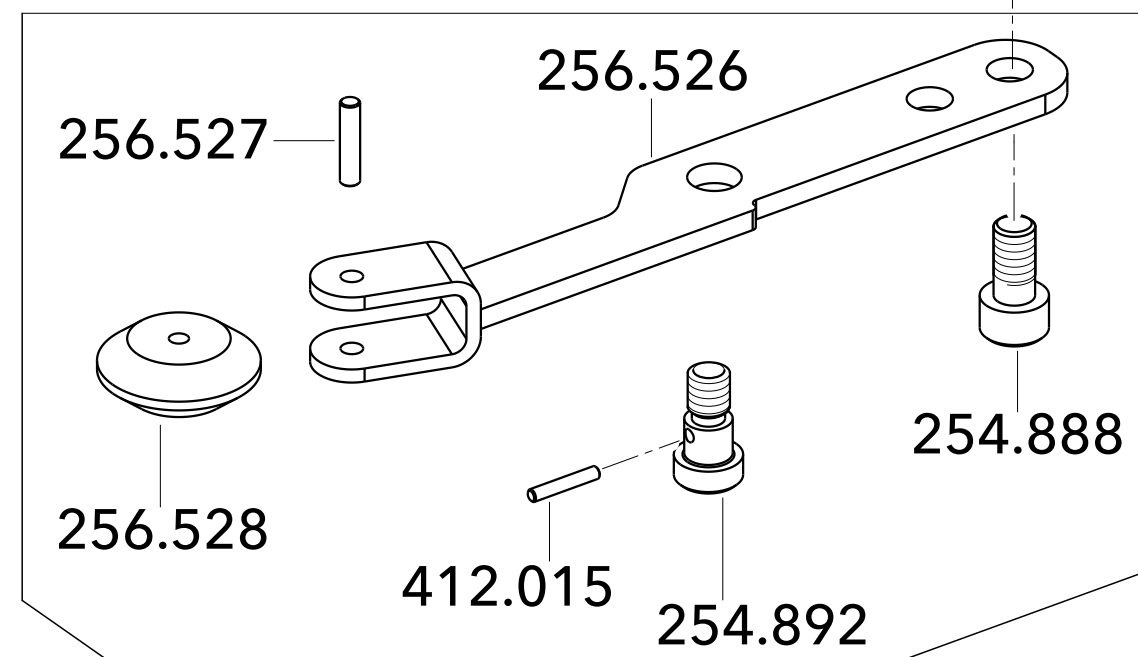
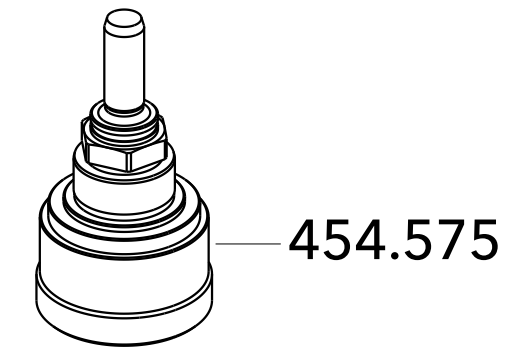
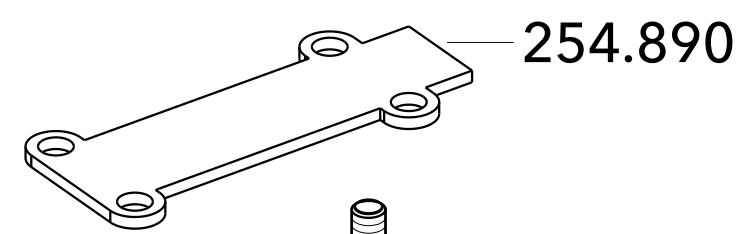
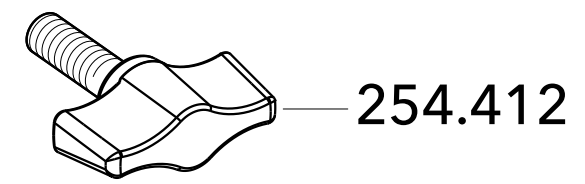
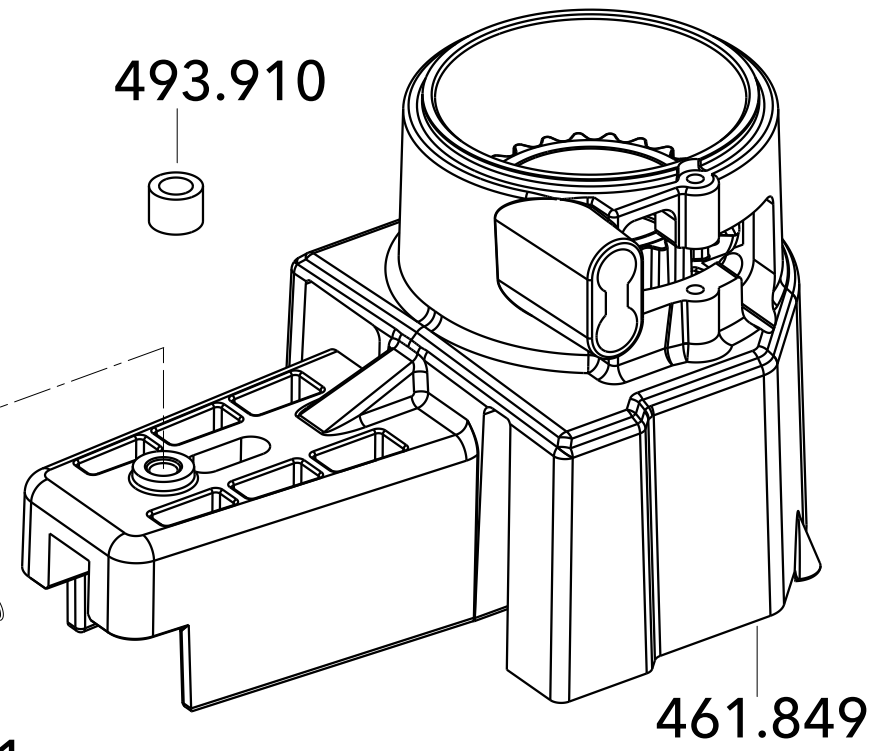
Zeichng.-Nr. 455.393 - Blatt 3 Datum 05-2021  
Drawing-no. 455.393 - page 3 date 05-2021



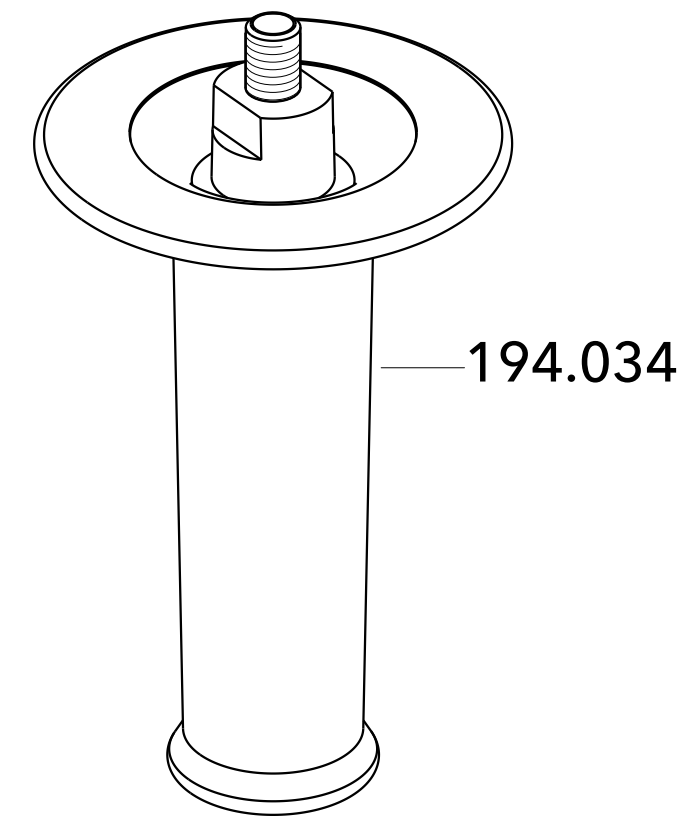
258.888



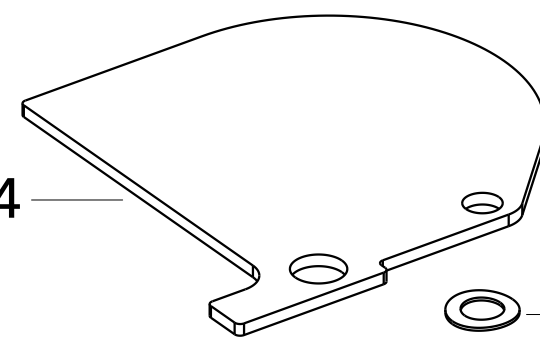
254.881



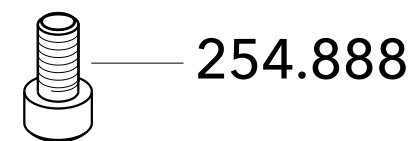
254.887



258.324



244.481



# FBE 8-4 140